



PT500 Electro-Mechanical Vibration Switch Introduction

The PT 500 is an economical solution to provide basic vibration protection for your rotating or reciprocating machines. The PT 500 uses an inertia sensitive mechanism which actuates internal micro-switch contacts when the vibration level exceeds the adjustable set point. The PT 500 start-up delay feature prevents the switch from activating during the higher vibration levels present during the start-up of the machine so that the set point may be adjusted closer to the vibration levels present during normal operation or running speed of the machine.

The PT 500 is your “one stop shopping” for all electro-mechanical vibration switch applications. The unique design has all industry required environmental and hazardous area approvals. The E-coat option is suitable for offshore and very corrosive environmental applications. Universal mounting plate will mount in existing mounting holes when replacing older mechanical vibration switches.

Applications include:

- ✓ Fans
- ✓ Cooling Motor/Fans
- ✓ Fin Fans
- ✓ Heat Exchangers
- ✓ Engines
- ✓ Reciprocating Compressors
- ✓ Centrifuges
- ✓ Rock or Coal Crushers

PT500 Features

- ✓ Wide operating temperature range of -40°C – 100°C (-40°F – 212°F)
- ✓ All industry environmental ratings
- ✓ Optional NEMA(E-coat),IP65 environmental rating
- ✓ Hazardous area agency approvals CSA, ATEX, CE



- ✓ Universal mounting
- ✓ Local and remote reset
- ✓ Start up delay
- ✓ SPDT, (2) SPDT and gold plated contact options

Specification

Function: Armature mechanism trips on

high vibration and operates snap action switch.

Vibration Range: See How to Select “C”

Frequency Range: 0 to 3600 rpm

Set Point Adjust: 0 to 100% of range. Internal set point adjustment.

Local Reset: For field local reset of the switch

Remote reset with Start-up Delay: Applying reset coil voltage at start up holds mechanism from tripping delay about 3 seconds, after which the switch is automatically activated.

Reset Coil Power Supply:

95 - 250VAC@100mA, 50 - 60Hz or

20 - 30VDC @ 200mA

Temperature Limit: -40 °C to +100 °C

Enclosure: Casted Aluminum

Environmental Rating: IP65

Switch Contact(s) Rating:

15A, 125VAC, 250VAC, 480VAC; 1/8 HP 125VAC

1/4 HP 250VAC; 1/2A, 125VDC; 1/4A, 250VDC

Gold plated contact: 0.1A 125VAC; 0.1A 30VDC



PT500 Electro-Mechanical Vibration Switches

Hazard Rating: See order information

TR CU : 1Ex d IIC T4T6X
1Ex d IIB+H2T4T6 X
№ TC RU C-US.ГБ05.B.00476
NANIO CCVE

ГОСТ 30852.0-2002 (МЭК 60079-0:1998), (кроме п. 27),
ГОСТ 30852.1-2002 (МЭК 60079-1:1998),
ГОСТ 30852.14-2002,
ГОСТ Р МЭК 60079-0-2011 (пп. 29.1-29.3, 29.11).

Physical

Temperature

Operation: -40°C - + 100°C (-40°F - +212°F)

Storage: -50°C - + 120°C (-58°F - +248°F)

Dimension

See attached drawing

Weight

PT500	1285g (2.8 lbs)
PT500-13	205g (0.45 lbs)
PT500-14	279g (0.6 lbs)
PT500-15(PT500-17)	440g (0.97 lbs)
PT500-20	112g (0.25 lbs)

B: Relay Contact

B = 1: SPDT

B = 2: (2) SPDT

B = 3: SPDT (gold plated contact)

B = 4: (2) SPDT (gold plated contact)

C: Full Scale

C = 1: 5g

C = 2: 2g

C = 3: 10g

D: Reset Power with Start-up Inhibit; Local Reset

D = 0: Local Reset only

D = 1: Remote Reset and Inhibit; Local Reset

D = 5: Remote Reset and Inhibit; No Local Reset

E: Conduit Entries/Mounting Plate or Mounting Stud

E = 1: 3/4" NPT, Mounting Plate PT500-13

E = 2: 3/4" NPT, Mounting Plate PT500-14

E = 4: M20×1.5, Mounting Plate PT500-14

E = 5: M20×1.5, Mounting Plate PT500-13

E = 6: 3/4" NPT, Mounting Stud 3/4" NPT

E = 7: M20×1.5, Mounting Stud M20×1.5

Order Information

PT500-ABC-DE

A: Hazardous Area Approvals

A = 0: CE Mark

A = 1: Multiple Approvals (D=0, 1)

CSA: Class I, Div 1, Groups B, C & D T4, T6

ATEX: II 2 G, Ex d II B+ H₂T4T6

PCEC: Ex d II B+ H₂T4/T6 Gb

CE Mark

A = 5: Multiple Approvals (D=5)

CSA: Class I, Div 1, Groups A, B, C & D, T4, T6

ATEX: II 2 G, Ex d II C T4T6

PCEC: Ex d II C T4/T6 Gb

CE Mark

A = 6: Multiple approvals (D=0, 1):

TR CU: 1Ex d IIB+H2T4T6 X

CE Mark

A = 7: Multiple approvals (D=5):

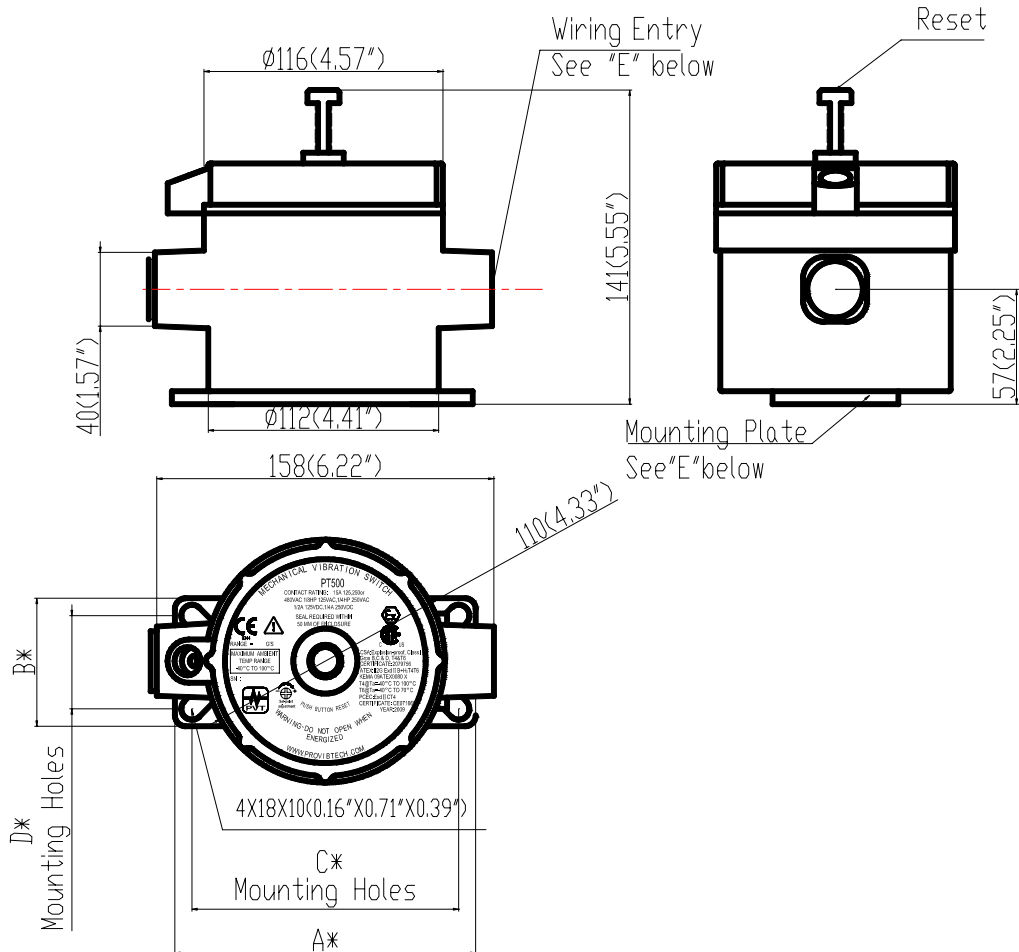
TR CU: 1Ex d IIC T4T6 X

CE Mark



PT500 Electro-Mechanical Vibration Switches

Mechanical Outline Drawings

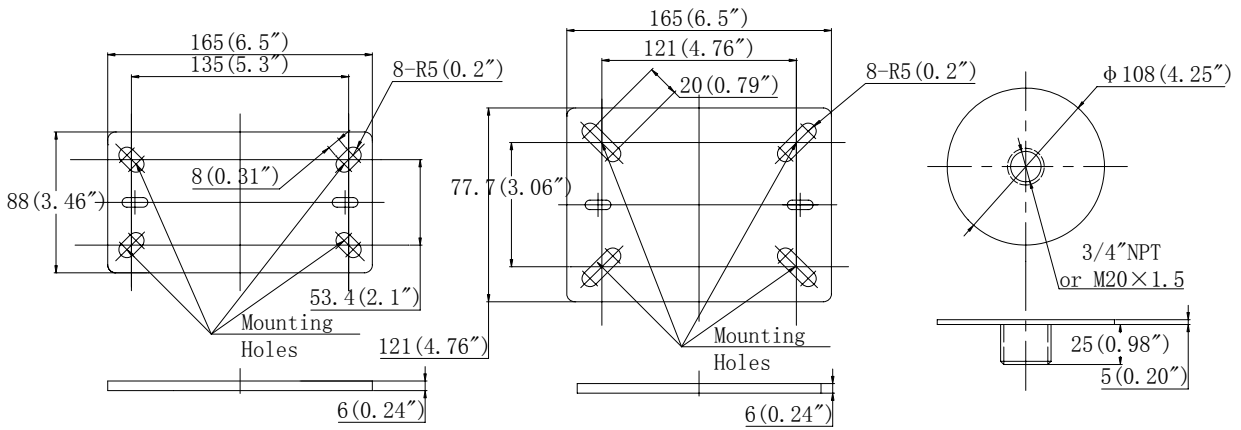




PT500 Electro-Mechanical Vibration Switches

Accessories

Mounting Plate and mounting studs:



PT500-13

PT500-14

All dimensions in mm (inches)

PT500-15 (3/4" NPT)

PT500-17 (M20×1.5)



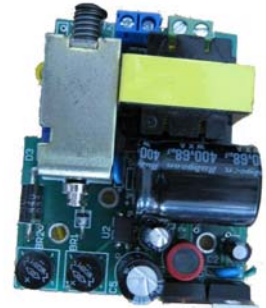
3/4" NPT seal
PT500-18



3/4" NPT cable feedthrough
PT500-19



Blank cover
PT500-3



Remote reset circuit
PT500-20