



## Side-Exit Velocity Sensor TM0796V

The TM0796V velocity sensor is a side-exit connector multi-purpose transducer.

### Specifications

#### Electrical

Sensitivity:

4.0mV/mm/sec (100mV/in/sec), @ 25°C, ±10%

Dynamic Range:

1,000 mm/sec pk

Frequency Response:

2 - 7,000Hz (±3dB)

Isolation:

Fully isolated

Electrical Noise:

100 uin/ sec

Transverse Sensitivity:

< 5% or axial

Power Requirement:

3 - 10mA constant current

18 - 30VDC



Bias Voltage:

10 - 14VDC

Resonance Frequency:

15 kHz

Maximum Transmission Distance:

300 meters (1,000 feet)

#### Environmental and Physical

Temperature Range:

-50°C to +120°C

Environmental Protection:

IP67

Weight:

200 grams

Case Material:

304 Stainless steel

Sealing:

Hermetically sealed

Mounting:

1/4-28UNF or M6×1 screw

Installation Torque:

29N x M

Connector:

MIL-C connector

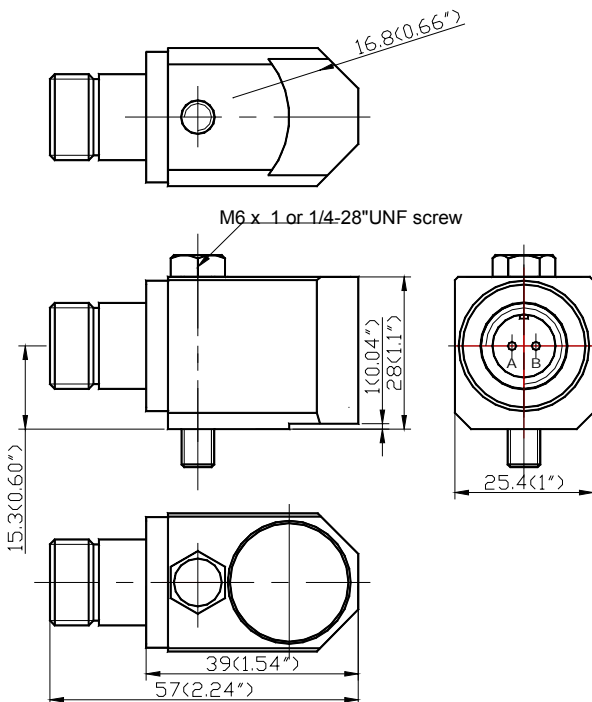
Hazardous Area Approvals:

ATEX: II 1 G, Ex ia IIC T4;

CSA: Class I, Div. 1, Groups A, B, C & D;

PCEC: Ex ia IIC T4

GOST R: 0ExialICT4X





### Order Information

#### TM0796V-M

Side-exit velocity sensor with metric mounting screw

- ✓ TM0796V velocity sensor
- ✓ Mounting screw M6×1

#### TM0796V-E

Side-exit velocity sensor with English mounting screw

- ✓ TM0796V velocity sensor
- ✓ Mounting screw 1/4-28"

#### TM0796V-M-S

Side-exit velocity sensor with metric mounting screw

- ✓ TM0796V velocity sensor
- ✓ Mounting screw M6×1
- ✓ Hazardous Area Approvals

#### TM0796V-E-S

Side-exit velocity sensor with English mounting screw

- ✓ TM0796V velocity sensor
- ✓ Mounting screw 1/4-28"
- ✓ Hazardous Area Approvals

### Accessories

**TM0714:** Mounting screw M6×1

**TM0715:** Mounting screw 1/4-28"

(Standard cable length is 5 meters. XX = 05)



**TM0702-XX:** Aluminum MIL connector with XX meters cable, 6.35mm diameter.  
< 120°C (250°F)



**TM0703-XX:** Seal tight boot connector with XX meters cable, 6.35mm diameter.  
< 120°C (250°F)



**TM0704-XX:** Stainless steel MIL connector with armored XX meters cable,  
4.83mm diameter. < 150°C (300°F)



**TM0705-XX:** Cornered MIL connector with XX meters cable, 6.35mm diameter.  
< 120°C (250°F)