



### TR5102 Proximity Speed and Phase Reference Transmitter

TR5102 is a cost-effective solution for monitoring the speed on your balance of plant machines. TR5102 combines the proximity probe driver and the signal conditioning circuit into one package. It will work with proximity probe and extension cable as a system.

#### TR5102 Features

- ✓ Loop power transmitter
- ✓ Does not require proximity probe driver
- ✓ Buffered output/GAP available for portable vibration analyzer
- ✓ Work with other manufactures 5mm, 8mm and 11mm probes
- ✓ Aluminum casted case with epoxy potting for hazardous area and reliability
- ✓ Same size as a proximity driver

#### Specifications

##### Electrical

Power Supply:

20-30VDC, 50mA.

Speed Response:

0 ~ 50,000 pulse per minute.

Sensor Interface:

Connection:

Special 95 Ω coaxial cable with connector.

Probe:

5mm, 8mm, and 11mm probes that includes: TM0180, TM0105, TM0110, 3300, 7200 series.

Buffered Output:

TTL output for speed and phase.

Nominal 0 ~ 5VDC.

Impedance: 100 Ω.

Maximum cable distance: 300m (1000ft).

Overall Speed Output:

4-20mA, source.

Driving load resistance up to 750 Ω.

##### Physical

Dimension: Height: 75mm (2.95"), see figuration.

Weight: 1.0kg (2.0 lb).



#### Environmental

Temperature:

Operation: -35°C ~ +70°C.

Storage: -40°C ~ +100°C.

Humidity:

90% non-condensing.

#### Ordering Information

Standard configuration:

TR5102-A01-E00-F00-G00

8mm probe:

TM0180-A07-B00-C05-D10

Extension cable:

TM0181-A40-B00

#### TR5102-AXX-EXX-FXX-GXX

##### AXX: Full Scale.

A00: 0 ~ 1,000 rpm

A01\*: 0 ~ 3,600 rpm

A02: 0 ~ 6,000 rpm

A03: 0 ~ 10,000 rpm

A04: 0 ~ 30,000 rpm

A05: 0 ~ 50,000 rpm

##### EXX: Probe and Cable.

E00\*: TM0180, 5m Cable

E01: TM0180, 9m Cable



## Proximity Transmitters, and Seismic Vibration Transmitters

- E02: 8mm Probe, 3300, 5m Cable
- E03: 8mm Probe, 3300, 9m Cable
- E04: 8mm Probe, 7200, 5m Cable
- E05: 8mm Probe, 7200, 9m Cable
- E06: TM0105, 5m Cable
- E07: TM0105, 9m Cable
- E08: TM0110, 5m Cable
- E09: TM0110, 9m Cable
- E10: 11mm Probe, 3300, 5m Cable
- E11: 11mm Probe, 3300, 9m Cable
- E12: 11mm Probe, 7200, 5m Cable
- E13: 11mm Probe, 7200, 9m Cable

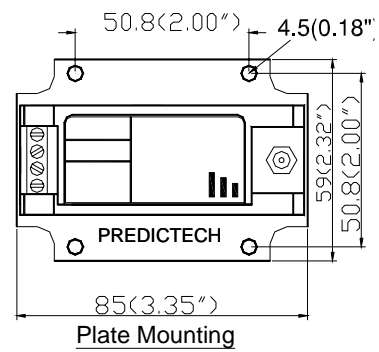
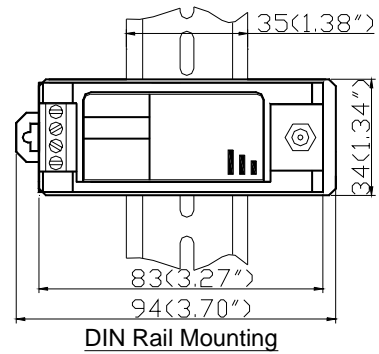
### FXX: Teeth per Revolution.

- F00\*: 1
- F02: Customer specify, number of teeth =XX

### GXX: Mounting.

- G00\*: DIN rail mounting.
- G01: Plate mounting.

\* Denote factory default.



### TR5102 Accessories

TR5102 must works with proximity probe transducer.

**TM0105:** 5mm probe.

**TM0181:** Extension cable.

**TM0180:** 8mm probe.

### TR5102 Field-wiring Diagram

